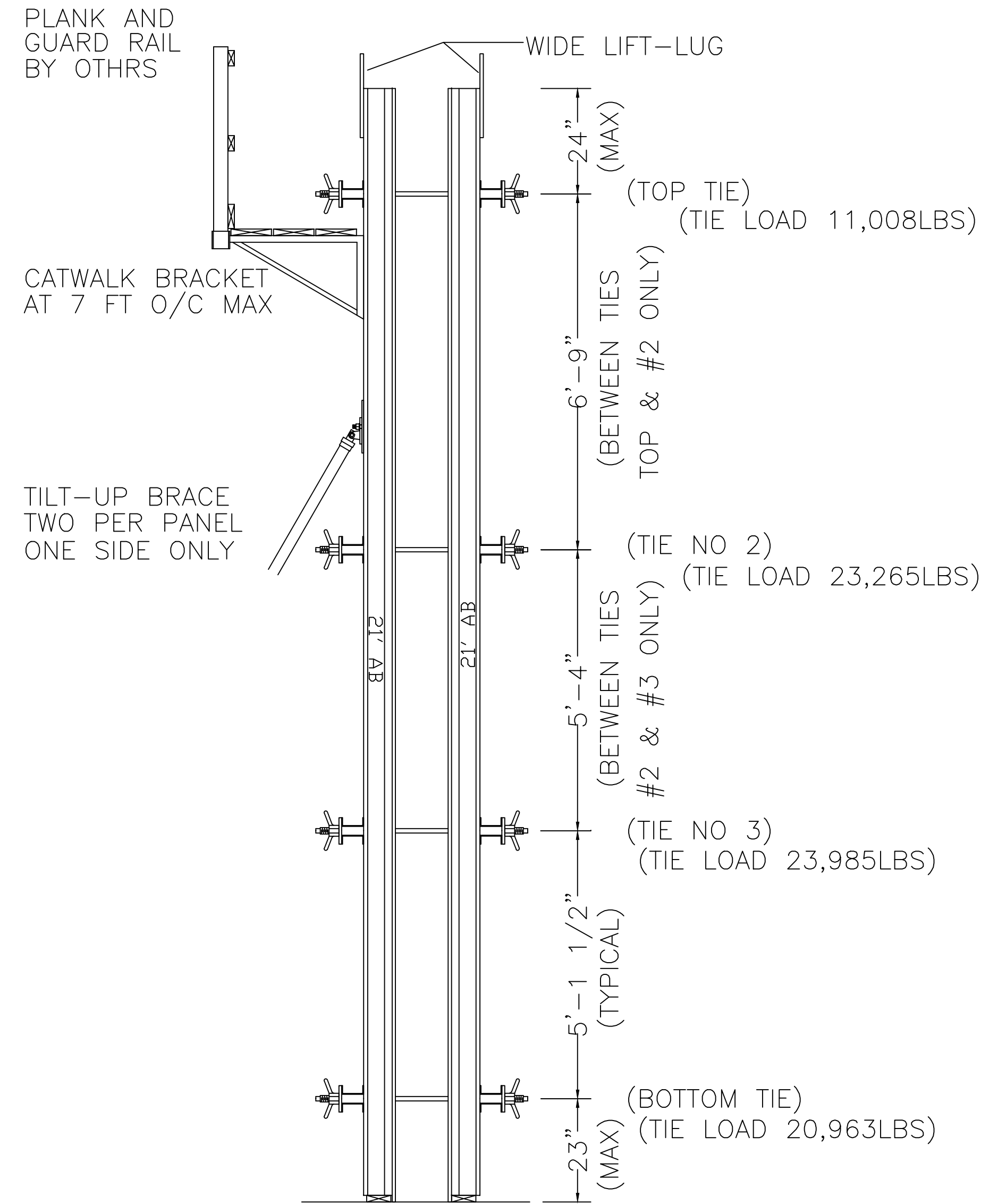
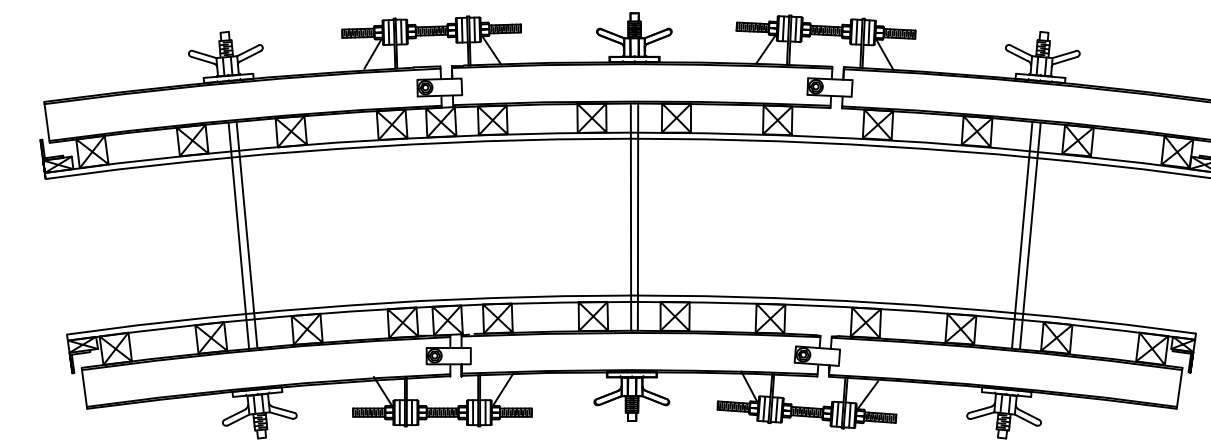


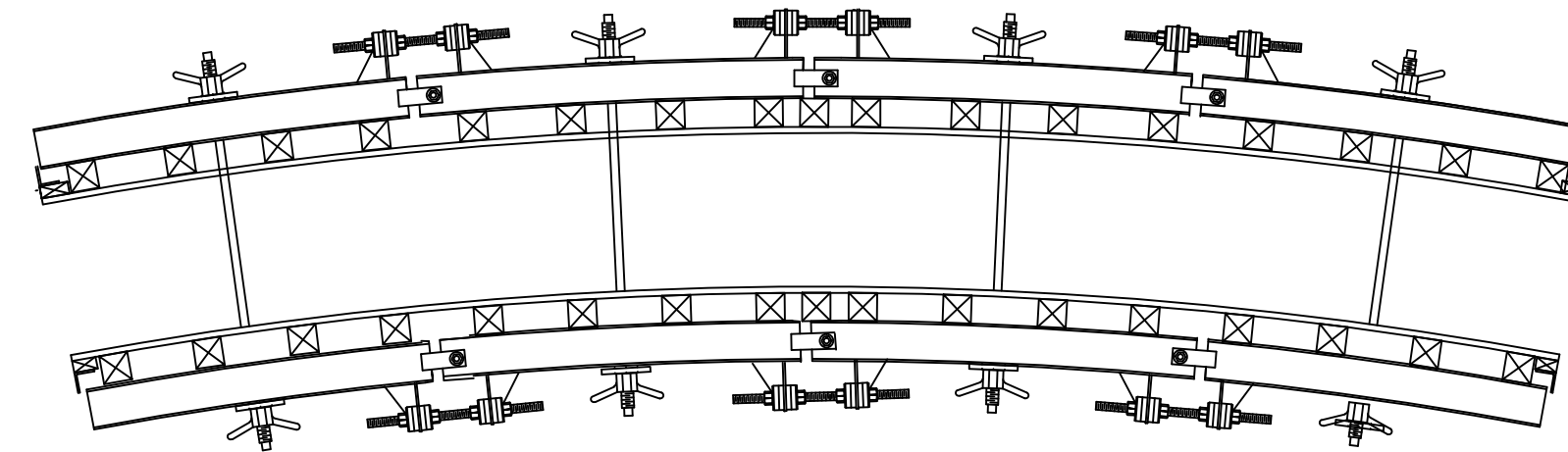
NOTE: FOR OTHER SECTIONS CONSULT
ADVANCE SHORING COMPANY'S
DESIGN DEPARTMENT



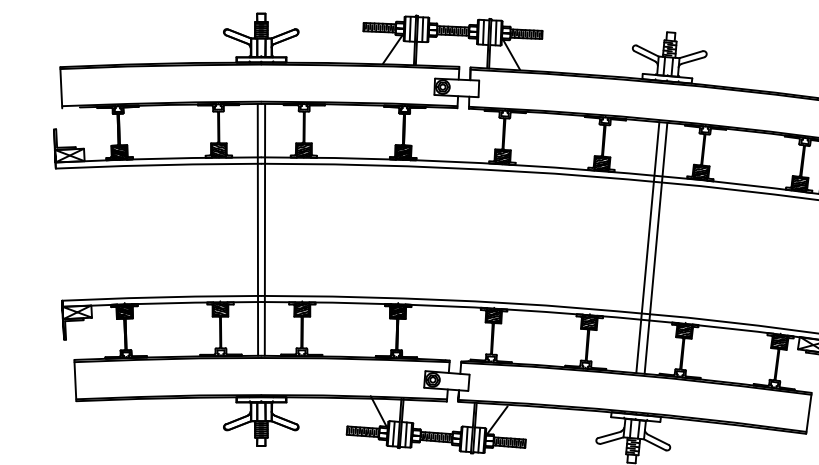
SECTION TYPICAL



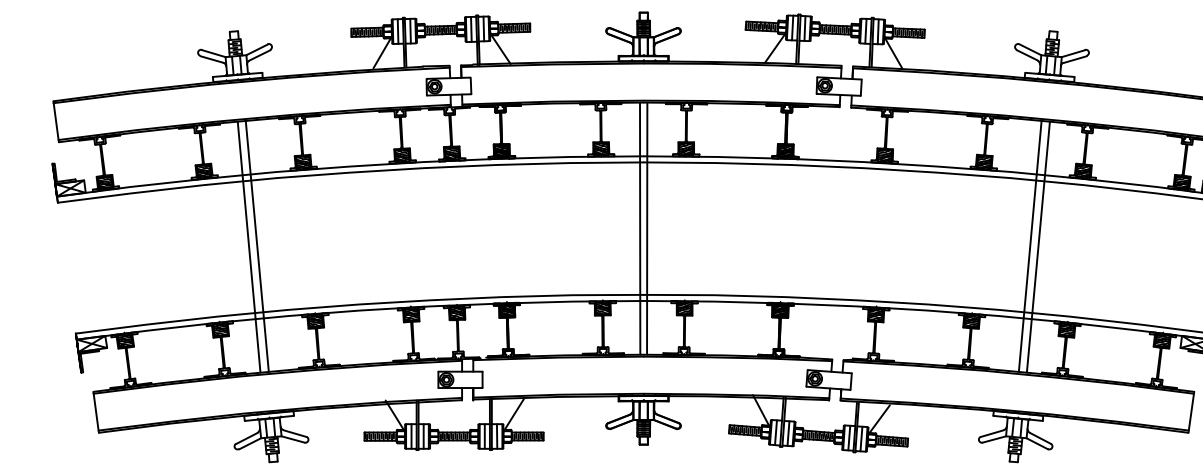
PLAN TYPE SW12L
4X4 BY OTHERS



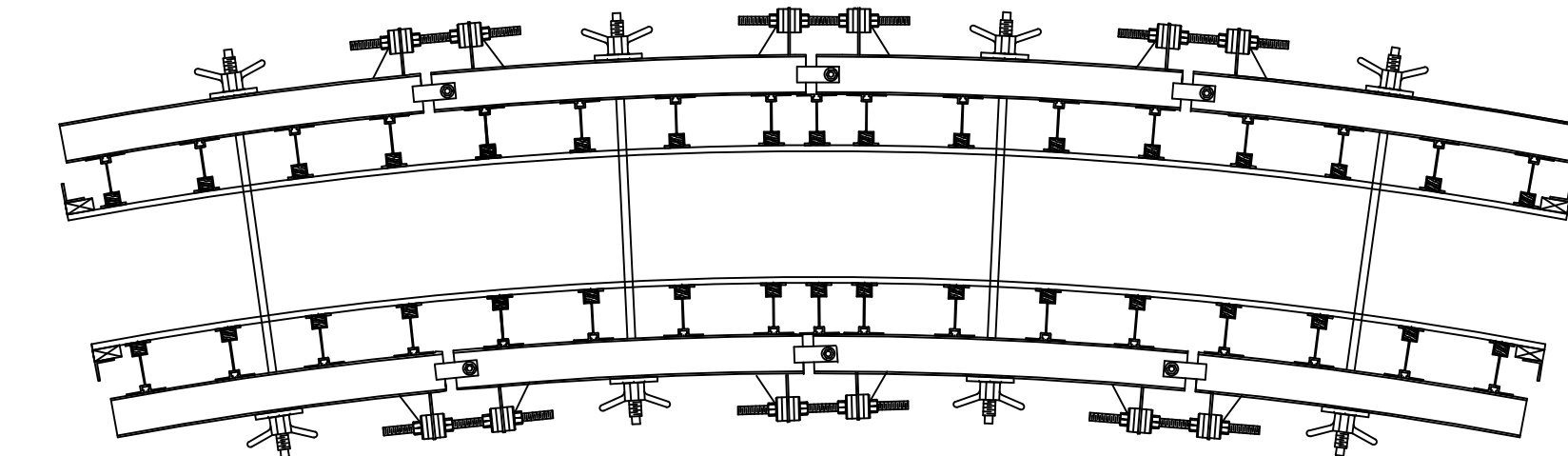
PLAN TYPE SW16L
4X4 BY OTHERS



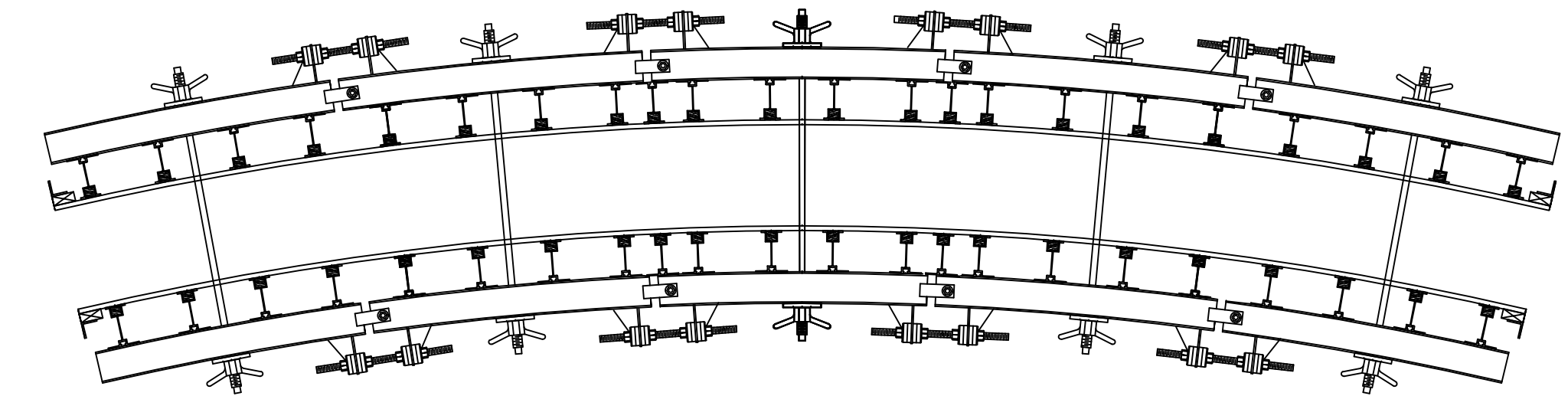
PLAN SW8



PLAN SW12

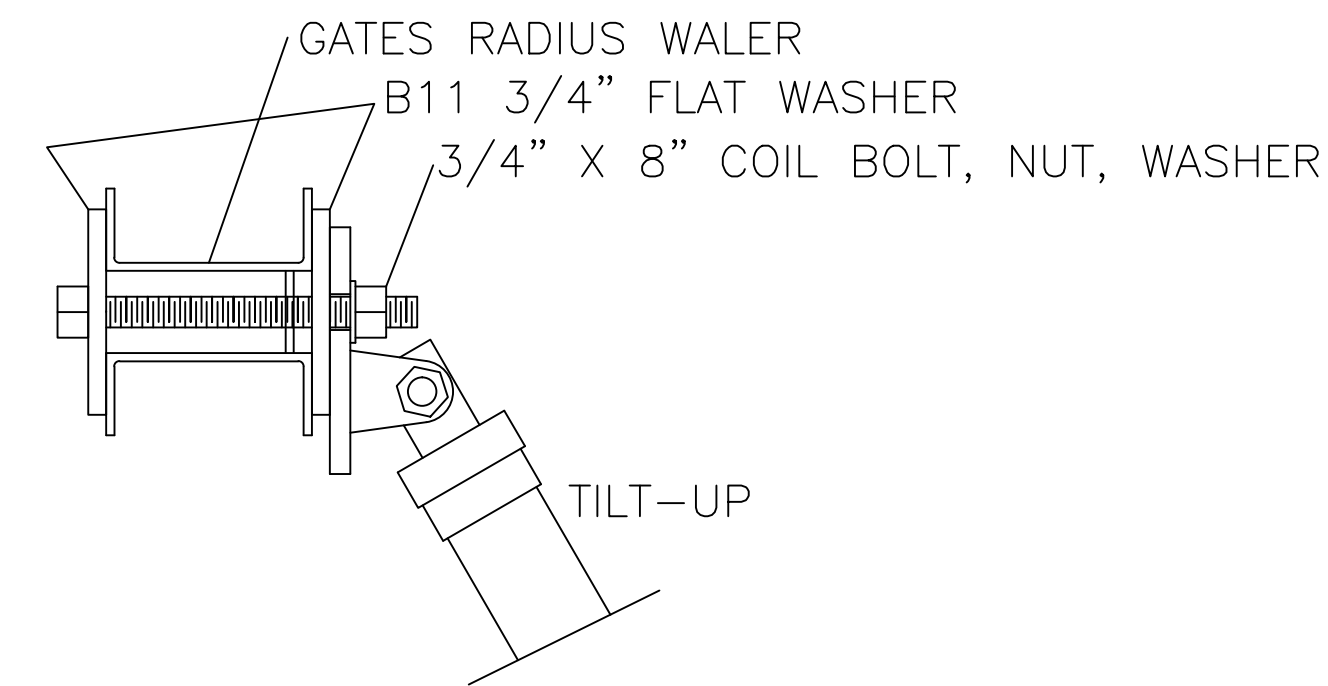
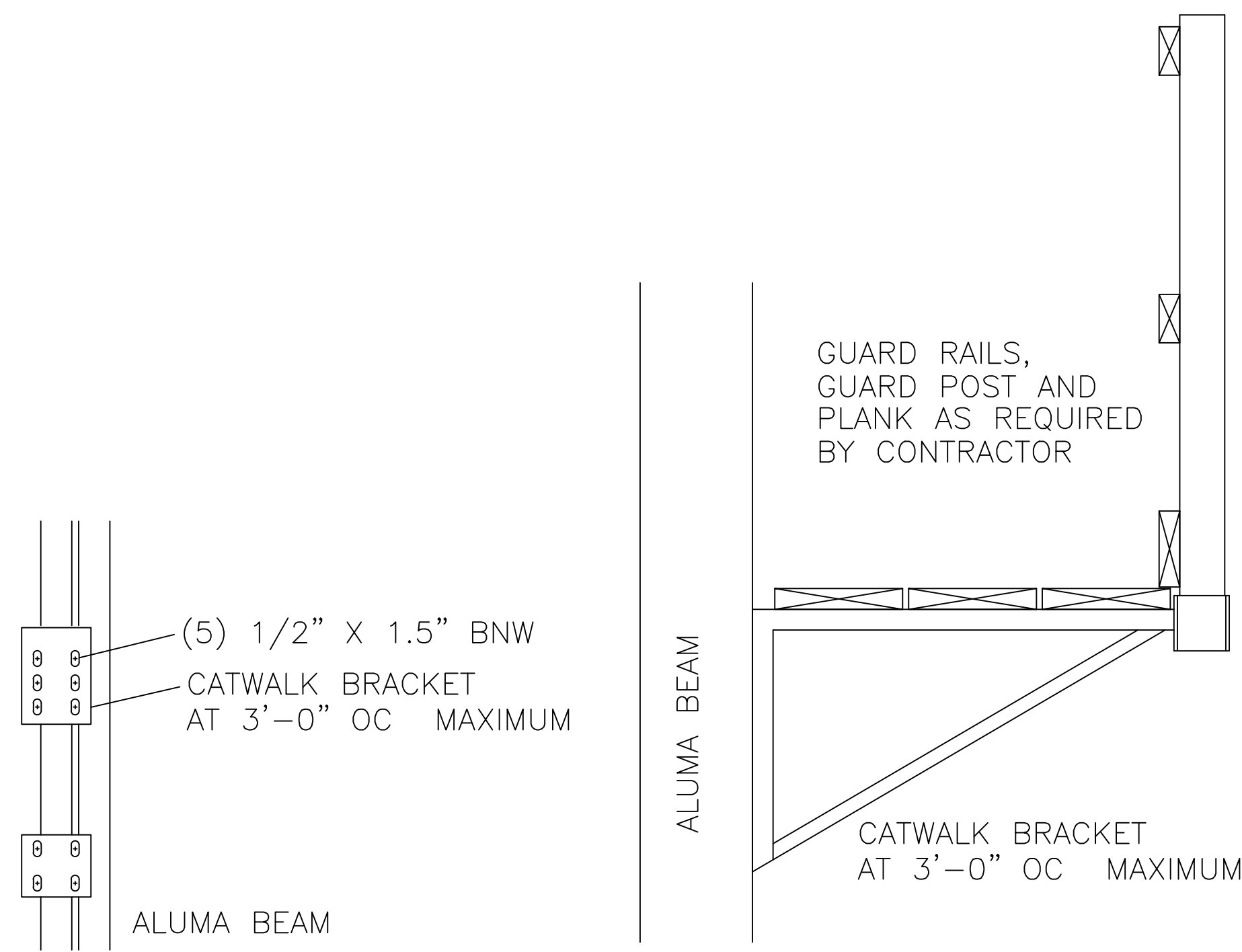


PLAN TYPE SW16

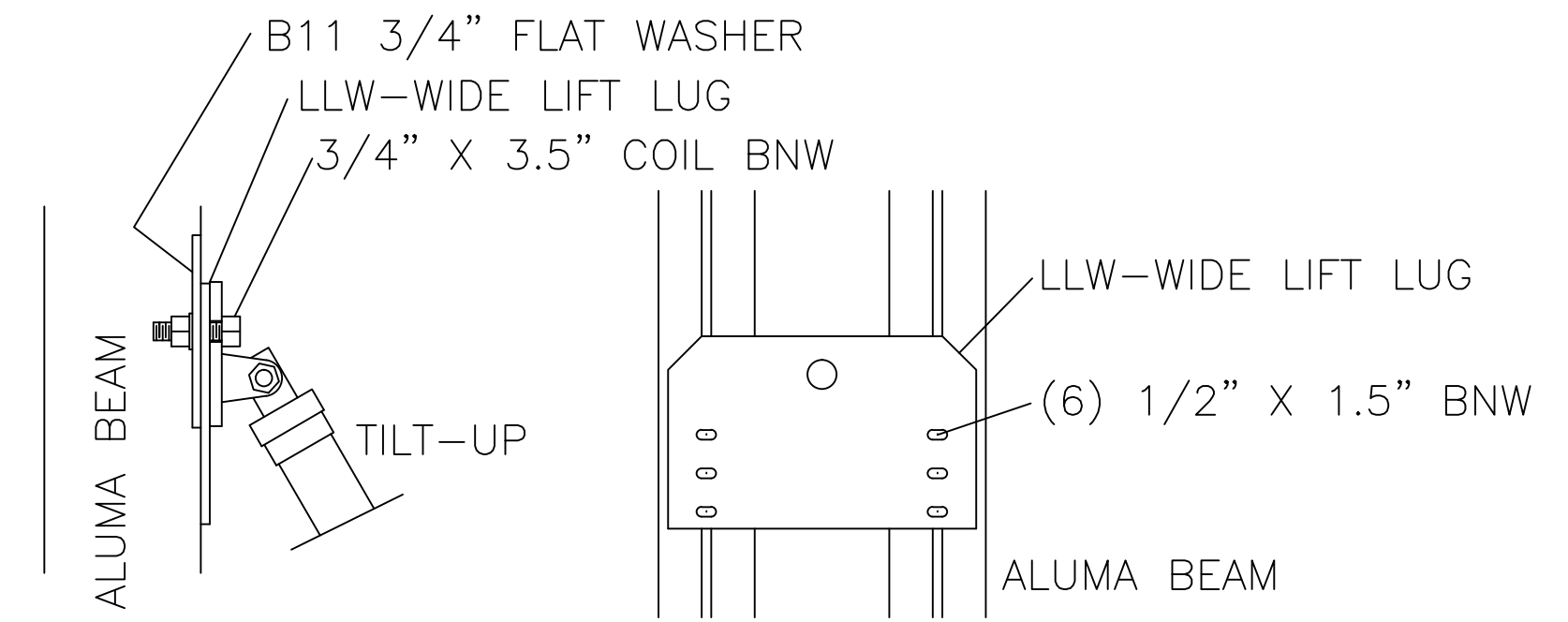


PLAN TYPE SW20

ADVANCE SHORING CO. 1400 JACKSON STREET ST PAUL MINNESOTA 55117 (612) 489 - 8881			
GATES RADIUS WALER TYPICAL PLANS 27'-0" RADIUS TO 80'-0" RADIUS 54' DIA TO 160' DIA			
SCALE 1/2" = 1'-0"	REVISIONS	BY	DATE
DATE 09-17-96			
DR'N ALF			
SALESMAN			
CUSTOMER		SHEET NO.	TRWP-1

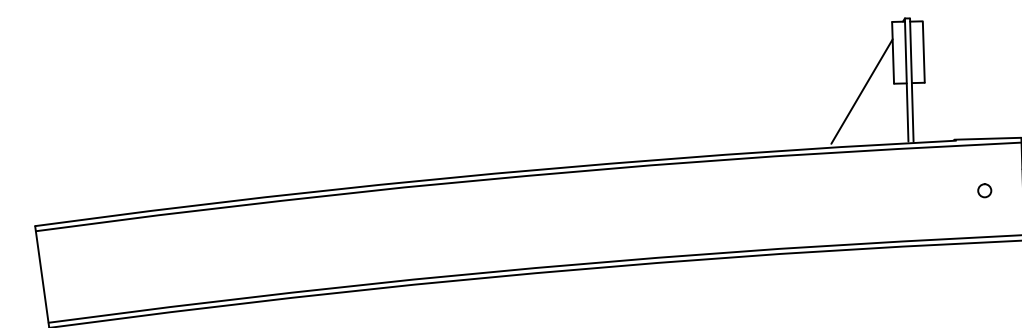


TILT-UP TO WALER
WHEN BRACING FROM THE INSIDE

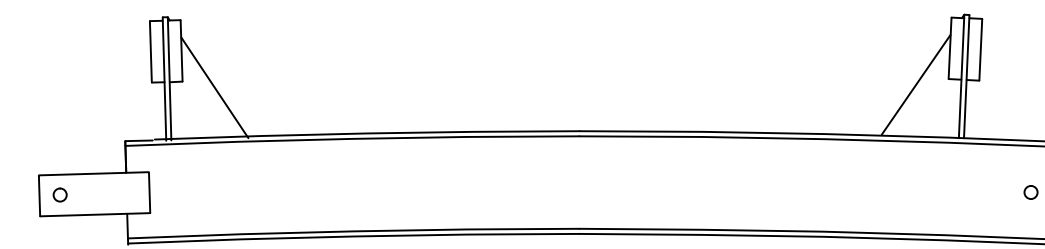


TILT-UP TO ALUMA BEAMS
WHEN BRACING FROM THE OUTSIDE

CATWALK BRACKET TO ALUMA BEAM



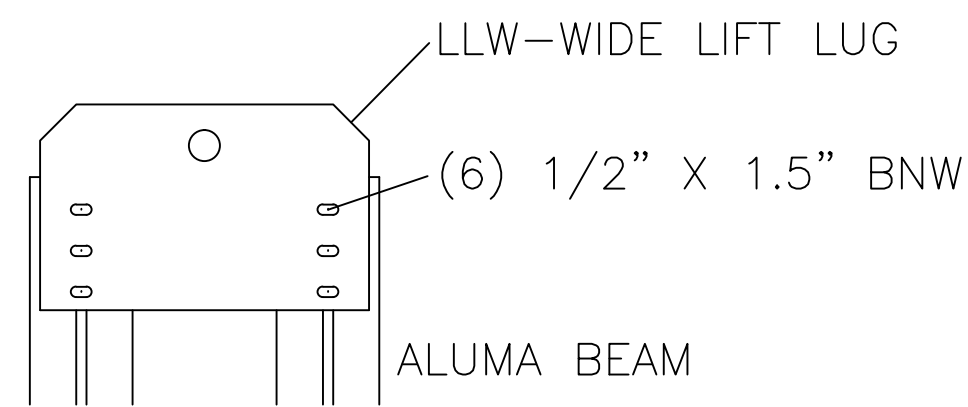
OSE
OUTSIDE RADIUS END



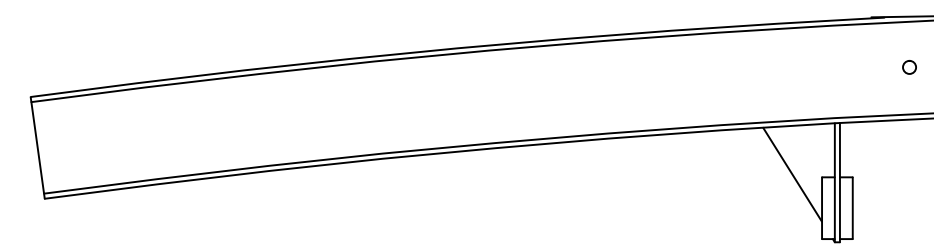
OSM
OUTSIDE RADIUS MIDDLE



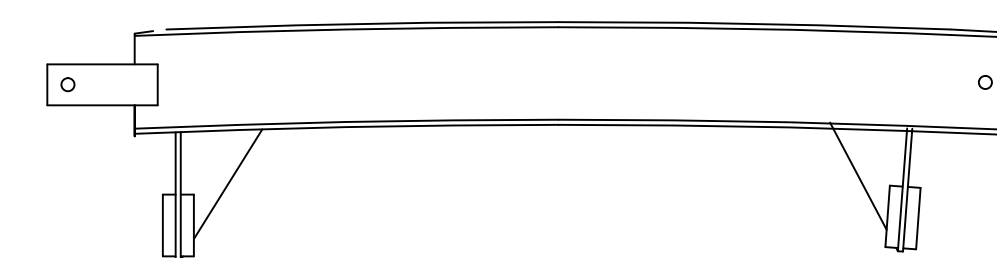
OSET
OUTSIDE RADIUS END WITH TAB



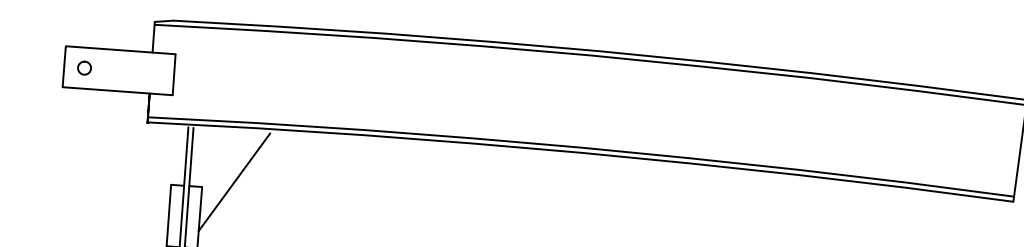
WIDE LIFT LUG
USED ON BOTH THE INSIDE AND
OUTSIDE FORMS. 1800# MAX



ISE
INSIDE RADIUS END

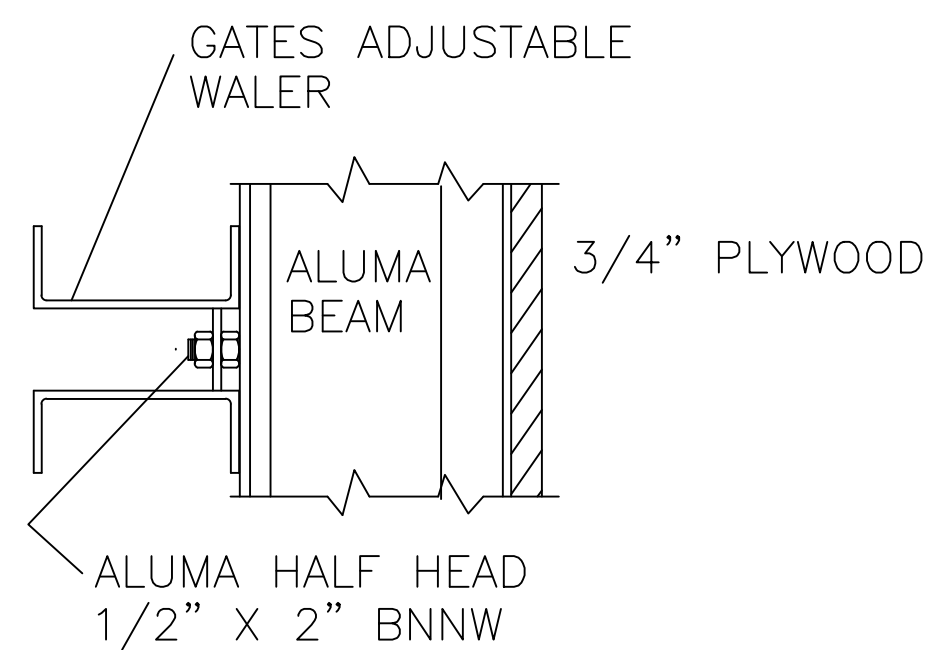


ISM
INSIDE RADIUS MIDDLE

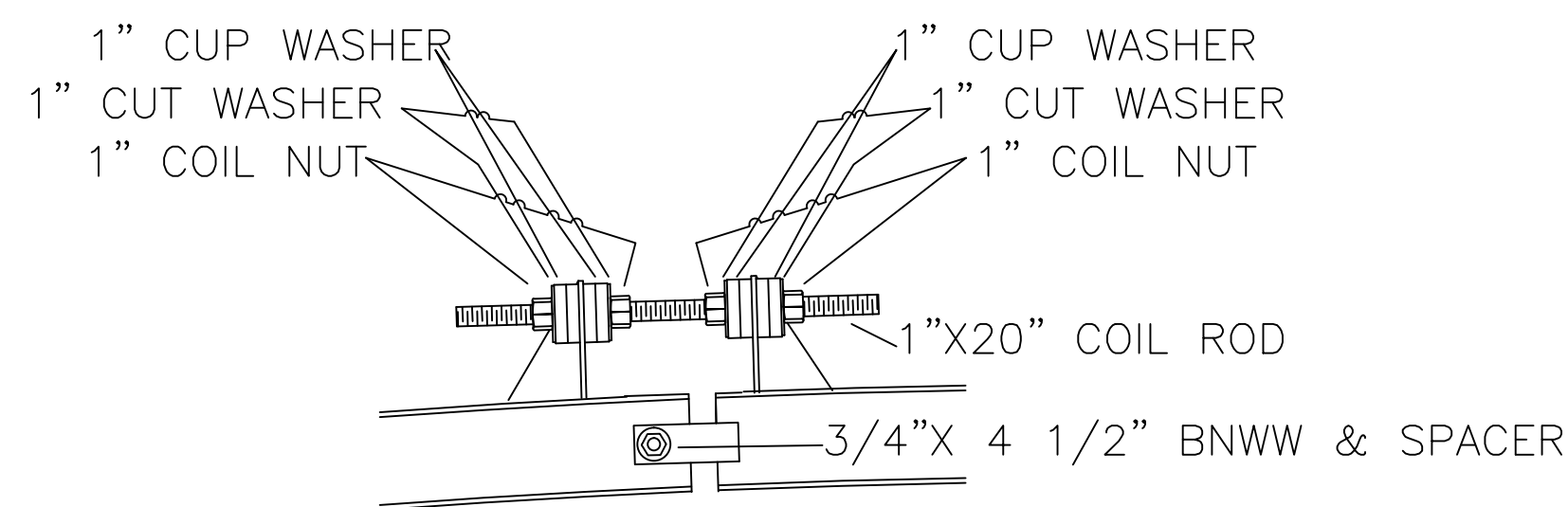


ISET
INSIDE RADIUS END WITH TAB

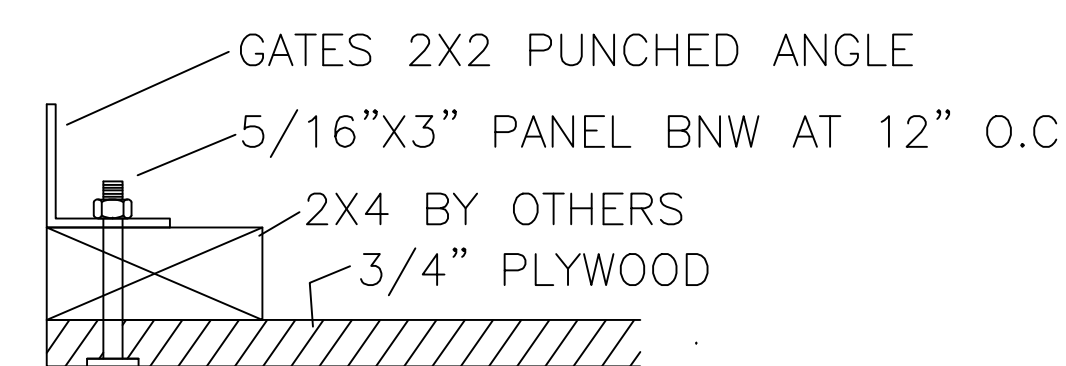
GATES ADJUSTABLE WALER IDENTIFICATION



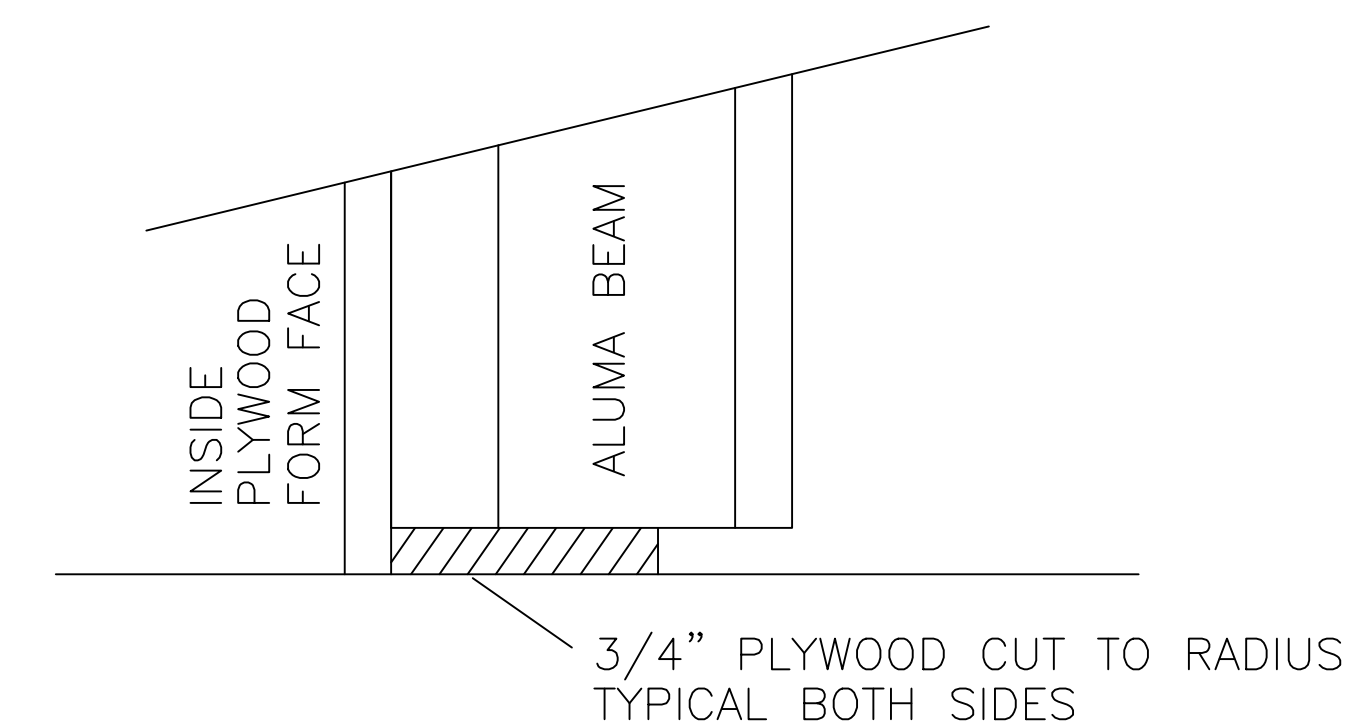
WALER TO ALUMA BEAM



WALER CONNECTION DETAIL



ANGLE CONNECTION DETAIL



FORM TO FOOTING DETAIL

RATE OF POUR—
DO NOT EXCEED _____ FEET OF LIFT OF CONCRETE PER HOUR AT _____' F
MAXIMUM DESIGN PRESSURE _____ POUNDS PER SQ. FOOT

** It is the contractor's responsibility to check and verify all dimensions, details and imposed loads prior to proceeding with the work.
Form Plywood—It is the contractor's responsibility to use the proper type plywood, adequately supported to assure acceptable limits of deflection.

The forming system, as shown, is designed on the assumption that the formwork has been restrained from lateral movement.
It is the responsibility of the contractor to provide for sufficient lateral support where necessary.
No deviation from these plans permitted without written consent of Advance Shoring Company.

The design incorporated in this drawing is the property of Advance Shoring Company and is not to be used in whole or in part without consent or authorization from Advance Shoring Company.

ADVANCE SHORING CO.		1400 JACKSON ST. ST. PAUL, MN 612-489-8881	
GATES WALER IDENTIFICATION, GATES WALER ASSEMBLY DETAILS AND GATES WALER TYPICAL DETAILS			
SCALE	N. T. S.	REVISIONS	BY DATE
DATE	8.22.95		
DRAWN BY	AL		
SALESPERSON		DETAILS ADDED	LISA 4.17.98
CUSTOMER	GATES ADJ. RADIUS WALER		SHEET NO. GARW-1